

NITRODOSE[®]G2 and G2 Pro

Liquid Nitrogen Injection System

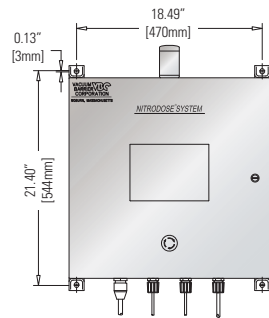
Advanced liquid nitrogen dosing performance and durability with powerful control systems precisely delivering low pressure liquid nitrogen at line speeds up to 2000 CPM.

Features standard to both models:

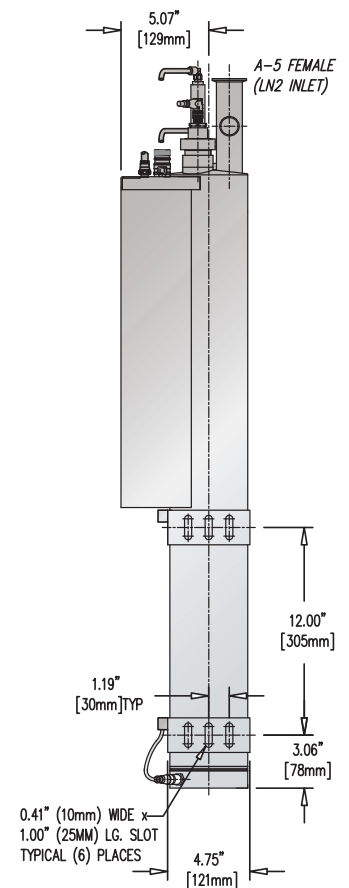
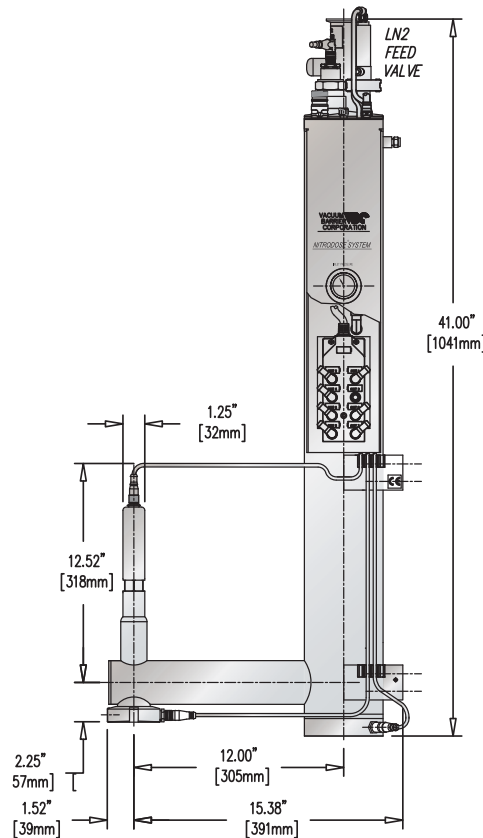
- Multiple on-board language and recipe storage
- Self-monitored with alarm outputs
- Smartsync technology
- Speed and dose compensation
- Rapid warm-up feature
- Optional automatic CIP protection

Since 1958

Control panels



Doser views



Features	NITRODOSE G2	NITRODOSE G2 Pro
Maximum Discrete Dosing Speed (CPM)	450	2000
Continuous Stream Capabilities	std	std
Allen Bradley PLC	ML1100	ML1400
Siemens PLC	S7-1200	S7-1200
AB Panelview Component 800, 7" touchscreen HMI	color	color
Siemens KTP 700, 7" touchscreen HMI	color	color
Minimum Dose Duration	25 ms	6 ms
Smartsync Technology	std	std
Accuracy by dose weight	+/- 3%	+/- 3%
Real-Time Graphical User Interface (GUI)	std	std
Speed & Dose Compensation	std	std
Recipe Storage	10	10
Five on-board languages	std	std
Continually self-monitored for alarm conditions	std	std
Number of built-in alarm relays	2	2
Maximum direct LN ₂ feed pressure, psi (bar)	125 (8.6)	125 (8.6)
Required air pressure, psi (bar)	50 - 100 (3.4 - 6.9)	50 - 100 (3.4 - 6.9)
Rapid warm-up feature	std	std
Electronic dosing valve	std	std
Clean hygienic design	std	std
Lowest dosing pressure, 0.3 psi (0.02 bar)	std	std
Self-Generating N ₂ purge	std	std
Sub-cooled LN ₂ to improve dosing accuracy	std	std
Automatic CIP Protection	opt	opt
Directional Dose Dispersion blocks	opt	opt
Dosing Software for In-Line Fillers/Cappers	opt	opt

4-year warranty on all systems.